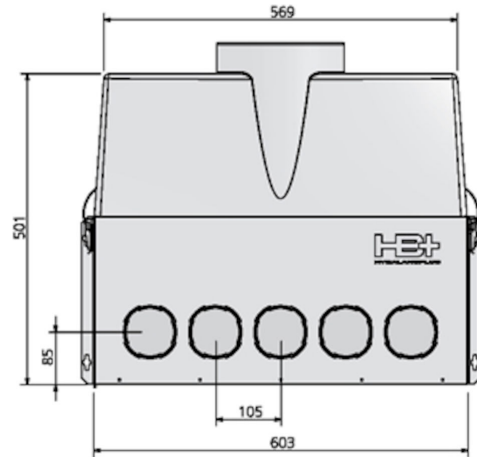


General information

Hybalans+ Manifold box complete 350#12



Specifications

Article number	400470407
Product category	Air extraction plenum / Air distribution
Material	Galvanized/EPP
Colour	RAL-7045
Wall Thickness (mm)	26
Weight (kg)	5,01

Dimensions

Dimensions (l x w x h mm)	640 x 210 x 550
Connection diameter flexible (mm)	75/92
Connection diameter rigid (mm)	150/180

Application Insights

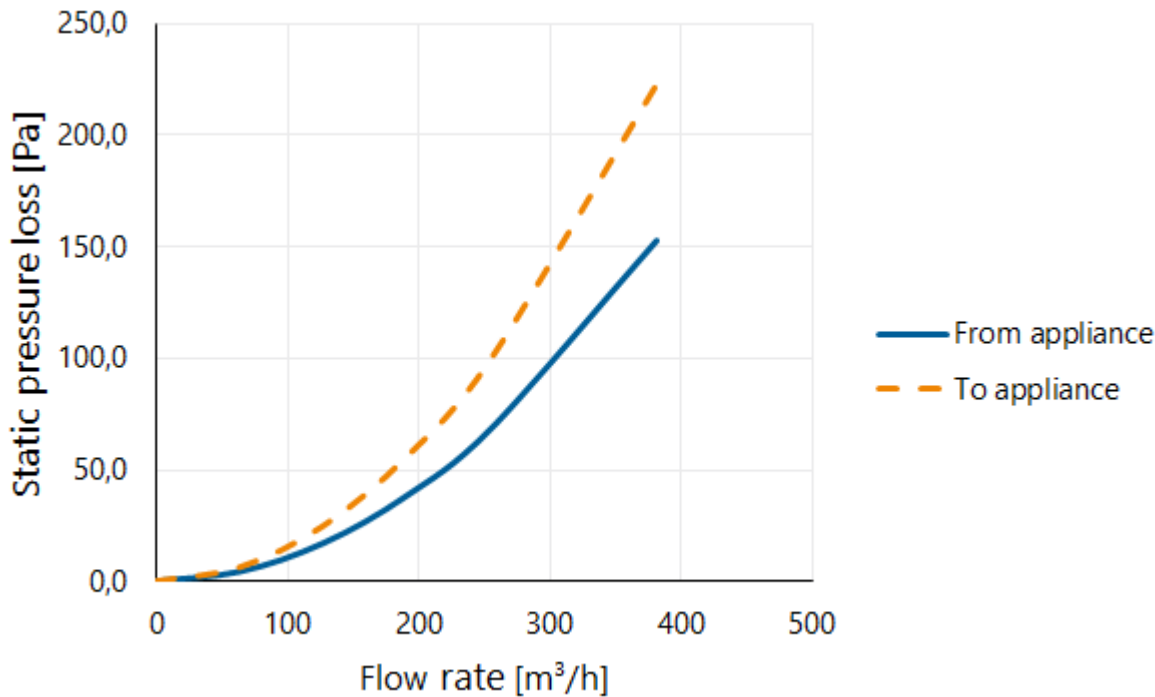
Intended use	Air
Supply / Extract	Supply/Extract
Number of connections	12
Temperature range (°C)	-25 / +80

Technical Specifications

Maximum air flow (m ³ /h)	350
Air Tightness Class	3
R-value (m ² K/W)	0,86
Other specifications	-

Manifoldbox with flexible duct 75mm and insulated ducting 150mm

Pressure loss



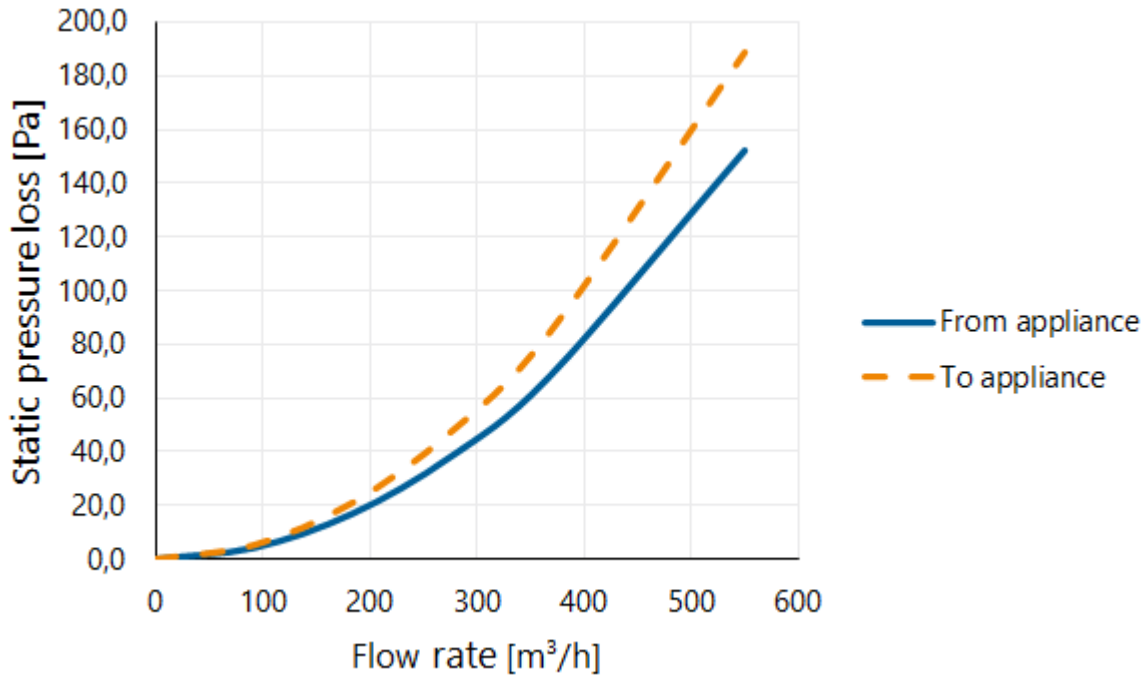
Manifoldbox with flexible duct 75mm and insulated ducting 150mm

Flow velocity pressure table

Flow rate			Static pressure loss	
[m/s]	[m³/h]	[l/s]	From appliance [Pa]	To appliance [Pa]
0	0	0	0,0	0,0
1	64	18	4,3	6,2
2	127	35	17,0	24,7
3	191	53	38,3	55,6
4	254	71	68,1	98,9
6	382	106	153,3	222,4

Manifold box with flexible duct 92mm and insulated ducting 180mm

Pressure loss



Manifold box with flexible duct 92mm and insulated ducting 180mm

Flow velocity pressure table

Flow rate			Static pressure loss	
[m/s]	[m³/h]	[l/s]	From appliance [Pa]	To appliance [Pa]
0	0	0	0,0	0,0
1	92	25	4,2	5,2
2	183	51	16,9	21,0
3	275	76	38,0	47,2
4	366	102	67,6	83,9
6	550	153	152,1	188,7